



# HEAD MOUNTED TEMPERATURE TRANSMITTER

UNIVERSAL TEMPERATURE INPUT  
PROGRAMMABLE INPUT TYPE, 4-20MA OUTPUT, ISOLATED  
Model No: MTR330



Conform to GB/T18268 industrial equipment application requirements (IEC 61326-1)

# General Specifications

## TEMPERATURE TRANSMITTER 4-20MA OUTPUT, ISOLATED MTR330

GS 19A16D01-01EN

### Overview

MTR330 Isolated Temperature Transmitter is head mounted with Universal Temperature input, transmitting the signal thermocouple, RTD sensor as 4-20ma output for with ideal solution.

### Feature

- Electrical isolation: 1500VAC (Input/output)
- Universal temperature input, programmable flexibly
- Input signal: 8 types of thermocouples, 2 types of RTD
- Built-in cold junction compensation for thermocouple input
- Input type can be programmable flexibly by PC software
- Serial port with serial-USB cable communication for software
- Output: 4-20ma, 2 wire
- Power supply: 12-40VDC:24VDC standard

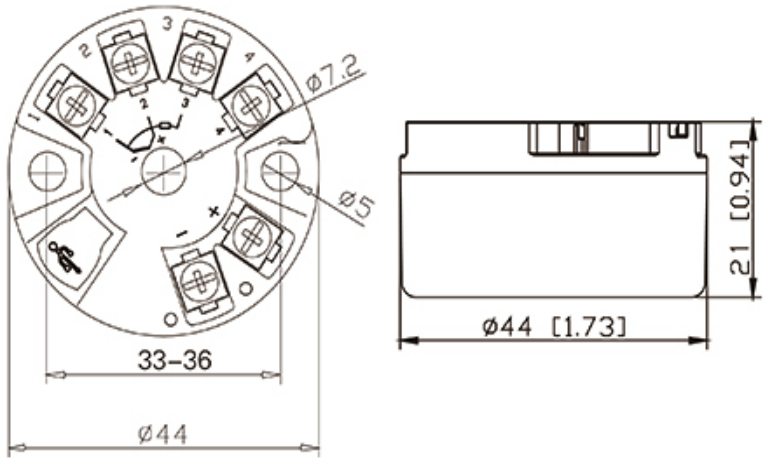
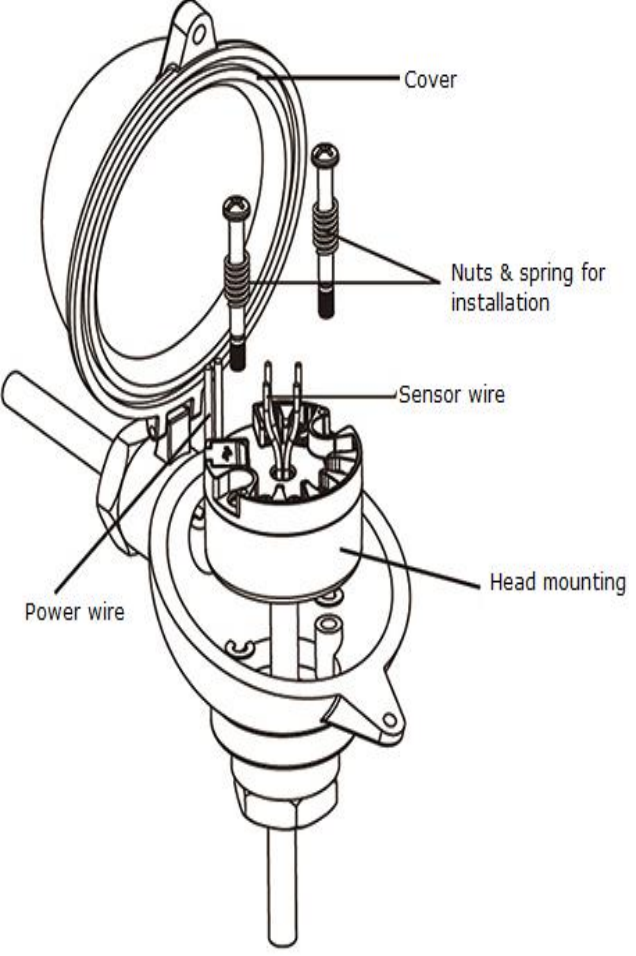
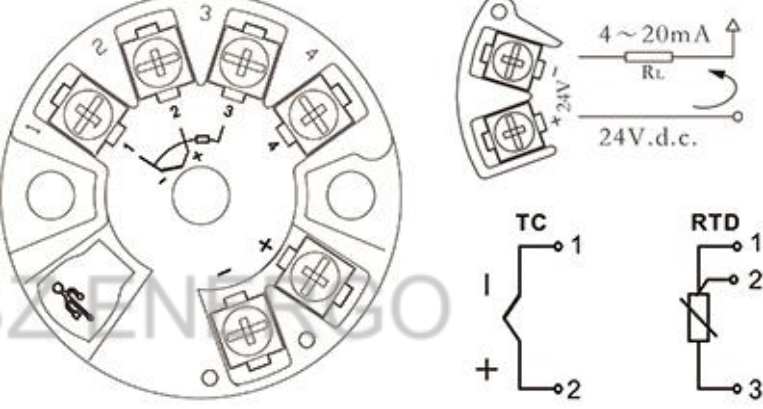


Smart Head Mount Temperature Transmitter  
Isolated Version: 1500VAC

### Specification

Accuracy	0.1%FS	Input Type	Measured Range	Min. Range	
Electrical isolation	1500VAC	RTD	Pt100	-200 to 600°C	10°C
Response time:	1second (up to 90% of final value)		CU50	-50 to 150°C	10°C
Input type	Thermocouple, RTD	T.C.	B	400 to 1820°C	50°C
Cold junction compensation	-20~60°C		E	-100 to 1000°C	50°C
Compensation Accuracy	±1°C		J	-100 to 1200°C	50°C
Temperature shift	0.0075%FS/°C		K	-180 to 1372°C	50°C
Output	4-20mA, 2 wire		N	-180 to 1300°C	50°C
Load resistor	$RL \leq (U_e - 12) / 0.021$ ( $U_e$ : power supply)		R	-50 to 1760°C	500°C
Current output	I <sub>H</sub> =21mA、I <sub>L</sub> =3.8mA		S	-50 to 1760°C	500°C
	(when high-low alarming limiting over)		T	-200 to 400°C	50°C
Current when alarming	21mA (when input is in open circuit)	Isolation (input/output)	1500Vrms(1min)		
Earthquake resistance:	4g/2 to 150HZ	Isolation resistance	≥100MΩ (when 500VDC)		
Installation	Head of B type box	(Input/output)			
IP protection	IP00; IP66 (mounted)	Power supply	U=12V to 40Vdc		
EMC	IEC61326-1	Working temperature	-40 to 85°C		
Conform to GB/T18268 industrial equipment application requirements		Storage temperature	-40 to 100°C		

## Electrical Connection

Size(mm)	Installation
	
Diagram	
	
Configuration by USB cable with PC software for input type, range setting	
