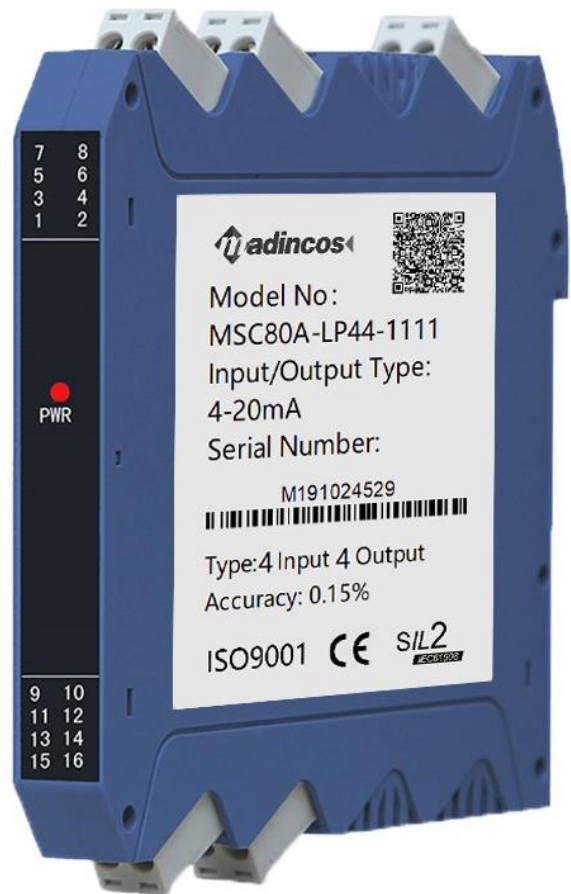




# DIN RAIL MOUNTED LOOP POWERED SIGNAL ISOLATOR

———— 1,2,3,4 INPUT 1,2,3,4 OUTPUTS ————  
4-20mA, 0-20mA INPUT; 4-20mA, 0-20mA, 0-5V, 1-5V OUTPUT;  
Model No.: MSC80A-LP



# General Specifications

## ANALOG SIGNAL ISOLATOR INPUT LOOP POWERED DIN RAIL

GS 19A16D01-01EN

MSC80A-LP

### Overview

**MSC80A-LP DIN Mounted Input Loop powered Analog Signal Isolator, Signal converter**, 0-20ma, 4-20ma input, with input-output-power isolation, transmitting the signal of transmitter as analog signal output to various instruments or DCS, PLC etc control systems.

### Feature

- 1 input 1 outputs, 2 input 2 outputs, 3 inputs 3 outputs, 4 inputs 4 outputs
- Input Signal: 4-20ma, 0-20ma
- Output Signal: 4-20ma,0-20ma,0-5VDC, 1-5VDC
- Transmission accuracy (20°C):  $\pm 0.15\%$ FS
- Power-Input isolation: 2KVrms, 1min, 50HZ
- Standard 35mm Rail Installation with pluggable terminals
- Size: 121.2Xx108x13mm

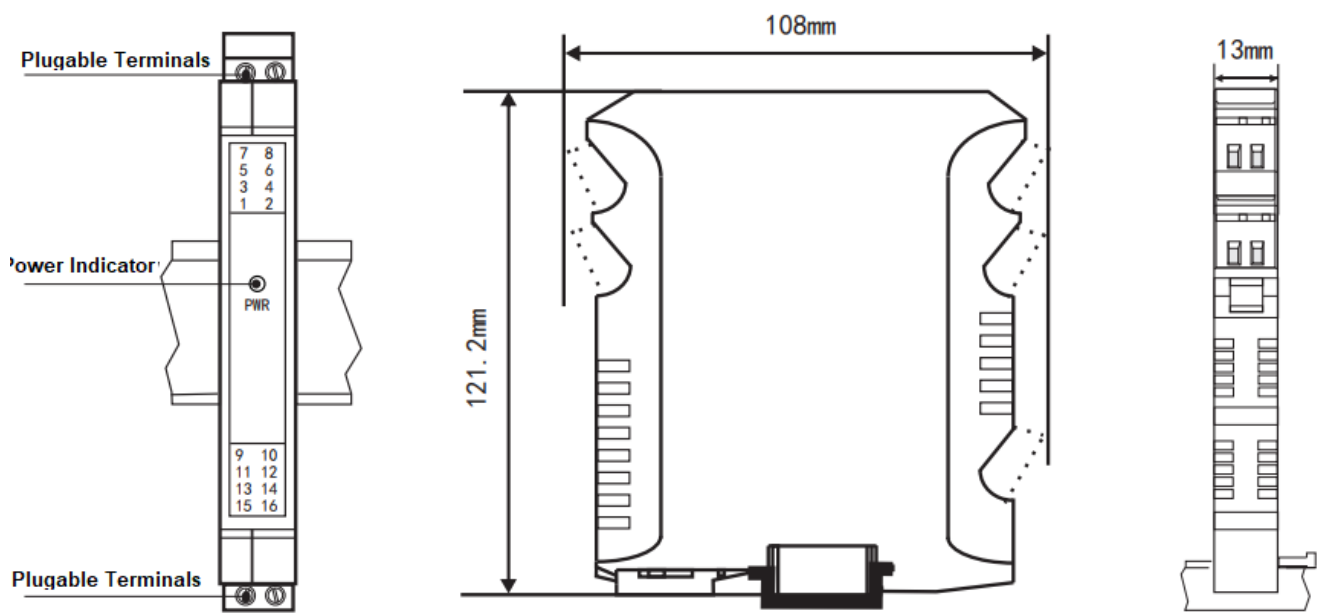
### Specification

Type	1 input 1 output, 2input 2 outputs 4 input 4 outputs; 4 input 4 outputs	● Accuracy	$\pm 0.15\%$ FS (20°C)
● Input		● Additional error	$0.02\% \cdot PV / 100\Omega$ (PV: PV value)
Input signal	4-20mA,0-20mA	Temperature coefficient	$\leq 0.02\% \cdot PV / K / 100\Omega$ (load: 100Ω)
Voltage Drop	2.5V (I=20mA)	Cut-off Frequency	<30Hz
Response current	<50uA	Step Response time:	<2ms
Max /Overload Input	50mA/100mA	Isolation	Input-Output, 2KVrms, 1min, 50HZ
Max /Overload Input	30V/30V	Case material	ABS
Limit Voltage Input	33V	Cable type	cable in cross section in 0.5 to 2.5mm <sup>2</sup>
● Output		EMC	GB/T18268 (IEC61326-1)
Output	4-20mA,0-20mA; 1-5V,0-5V	IP protection	IP20
Voltage Drop	2.5V (I=20mA)	Size/N.W.	121.2Xx108x13mm/0.13KG
Max output	35mA	Working temperature	-10 to 70°C
Ripple	10mVp-p	Working humidity	25% to 85%RH
		Storage temperature	40 to 80°C



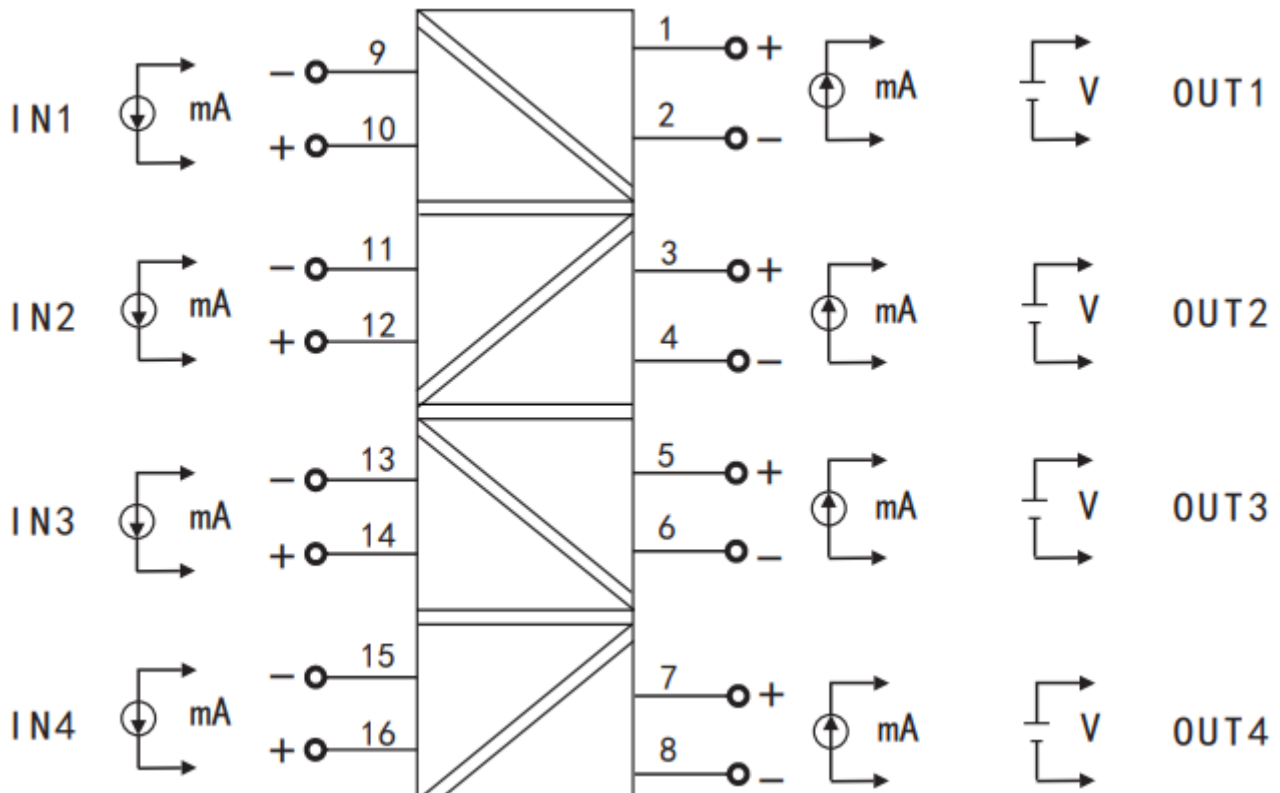
**MSC80A-LP Input Loop Powered  
Analog Input Signal Isolator**

## Size (mm)



## Diagram

4-20ma or 0-20ma DC Current Input, 4-20ma or 0-20ma or 01-5vdc or 05vdc Output Diagram



## Order Code

MSC80A: DIN Rail Mount Loop Powered Analog Signal Isolator											
Order Code: E.g.: MSC80A-LP11-1NNN-1NNN										Description	
MSC80A	-X	X	-X	X	X	X	-X	X	X	X	<b>MSC80A Analog Signal Isolator, Signal converter</b>
Type	-LP										Loop powered analog signal isolator
Input-Output Channels Numbers	11										1 Input 1 output
	22										2 input 2 output
	33										3 Input 3 Output
	44										4 Input 4 Output
Input1		-1									<b>4-20mA(default)</b>
		-3									0-20mA
Input2			N								None
			1								<b>4-20mA(default)</b>
			3								0-20mA
Input 3				N							None
				1							4-20mA
				3							0-20mA
Input 4					N						None
					1						4-20mA
					3						0-20mA
OUT1						N					None
						1					<b>4-20mA (default)</b>
						3					0-20mA
						4					0-5VDC
						5					1-5VDC
OUT2							N				<b>None</b>
							1				<b>4-20mA (default)</b>
							3				0-20mA
							4				0-5VDC
							5				1-5VDC
OUT 3								N			None
								1			<b>4-20mA (default)</b>
								3			0-20mA
								4			0-5VDC
								5			1-5VDC
OUT 4									N		None
									1		<b>4-20mA (default)</b>
									3		0-20mA
									4		0-5VDC
									5		1-5VDC

**Notes:** The signal input can be converted as the relative output signal with same ratio accordingly. For example:

When 4-20ma input, output can be 4-20ma or 1-5VDC; When 0-20ma input, output can be 0-20mA, 0-5VDC;

\*Please confirm the exact input and output signal with order code when order for correct production



**Xiamen Madincos Automation Co., Ltd**

Add.: No. C303, 3rd Floor, Kechuang Building, No.321 Torch Road, Torch Park, Torch High-tech Zone, Xiamen,China,361006

URL: [www.madincos.com](http://www.madincos.com)

Email: [info@madincos.com](mailto:info@madincos.com)

Mobile: +86-17750003689