



DIGITAL FIELD MODBUS TOUCH SCREEN Color Paperless Recorder

— Max. 40 Channels, 7inch TFT LCD —

Model No.: MPR5000SR



General Specifications

GS 18A16D01-01EN

PAPERLESS RECORDER UNIVERSAL MPR5000SR

Overview

MPR5000SR Fieldbus color paperless recorder is touch screen display max 40 channels, high accuracy, rs485 modbus-rtu input, easy operation, to be aimed to display, measurement the processes parameters such as temperature, humidity, pressure, flow, vibration etc in various industry applic

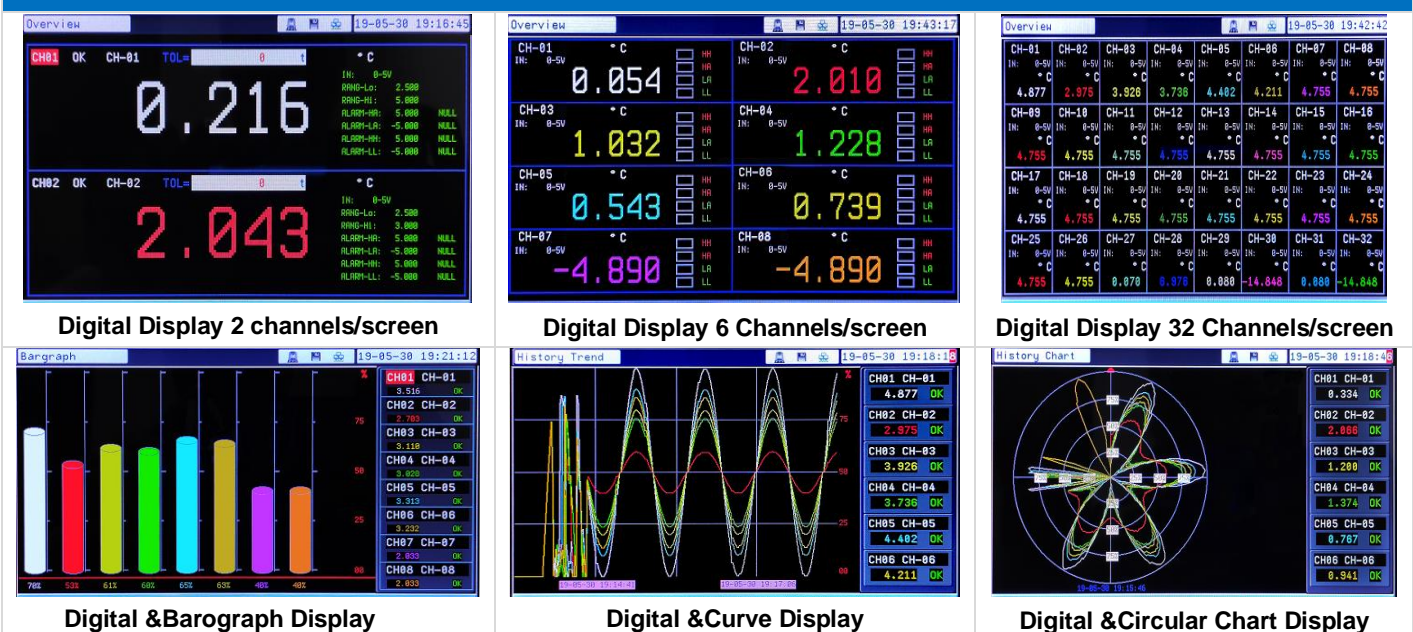
Feature

- High accuracy: $\pm(0.2\%FS + 1)$ digit, 7" TFT LCD display
- Fieldbus standard RS485 Modbus-RTU protocol
- Input channels no.:08, 16,24,32,40 channels
- Built in thermocouple automatic cold junction compensation
- Output: relay, 24VDC auxiliary power supply
- RS485, Ethernet Communication, standard MODBUS-RTU protocol configurable with HMI, SCADA, OPC serve, IOT, Cloud etc
- Flow totalize with temperature, pressure compensation
- Match Function: +, -, x, /, average, max, mini
- Various curve, barograph, digit for different type display
- Strong PC software to display data in digital curve, Print and export to excel for further analysis
- Wide power supply: 100-240VAC



MPR5000SR Touch Screen
Color Paperless Recorder
Fieldbus RS485 Input 40 Channels
7" TFT LCD,180X150X50mm
(Cutout:138.5x138.5mm)

Memory Flash Data Saving, Various Screen Display, Easy operation

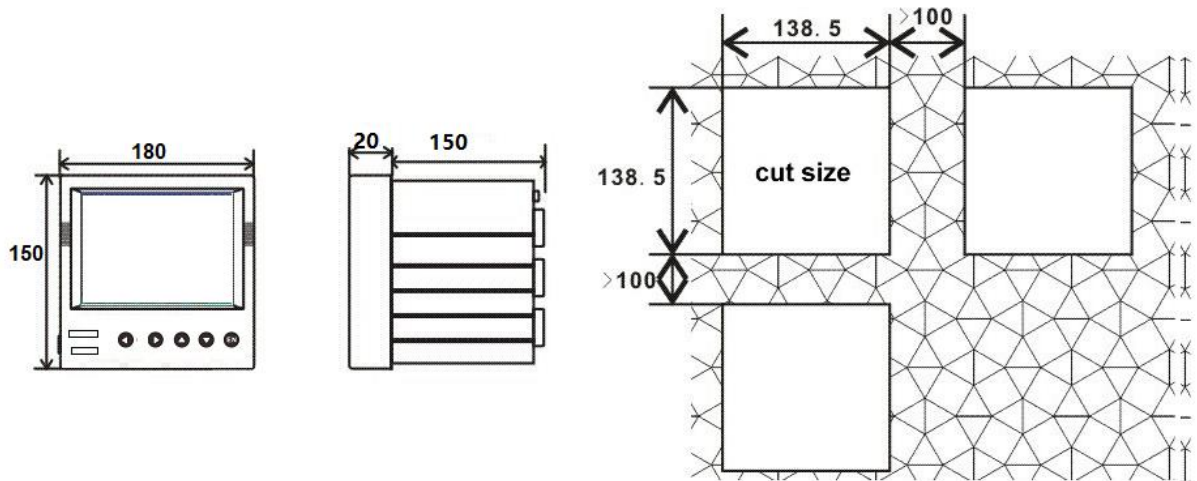


Xiamen Madincos Automation Co., Ltd

Add.: No. C303, 3rd Floor, Kechuang Building, No.321 Torch Road, Torch Park, Torch High-tech Zone, Xiamen, China.361006

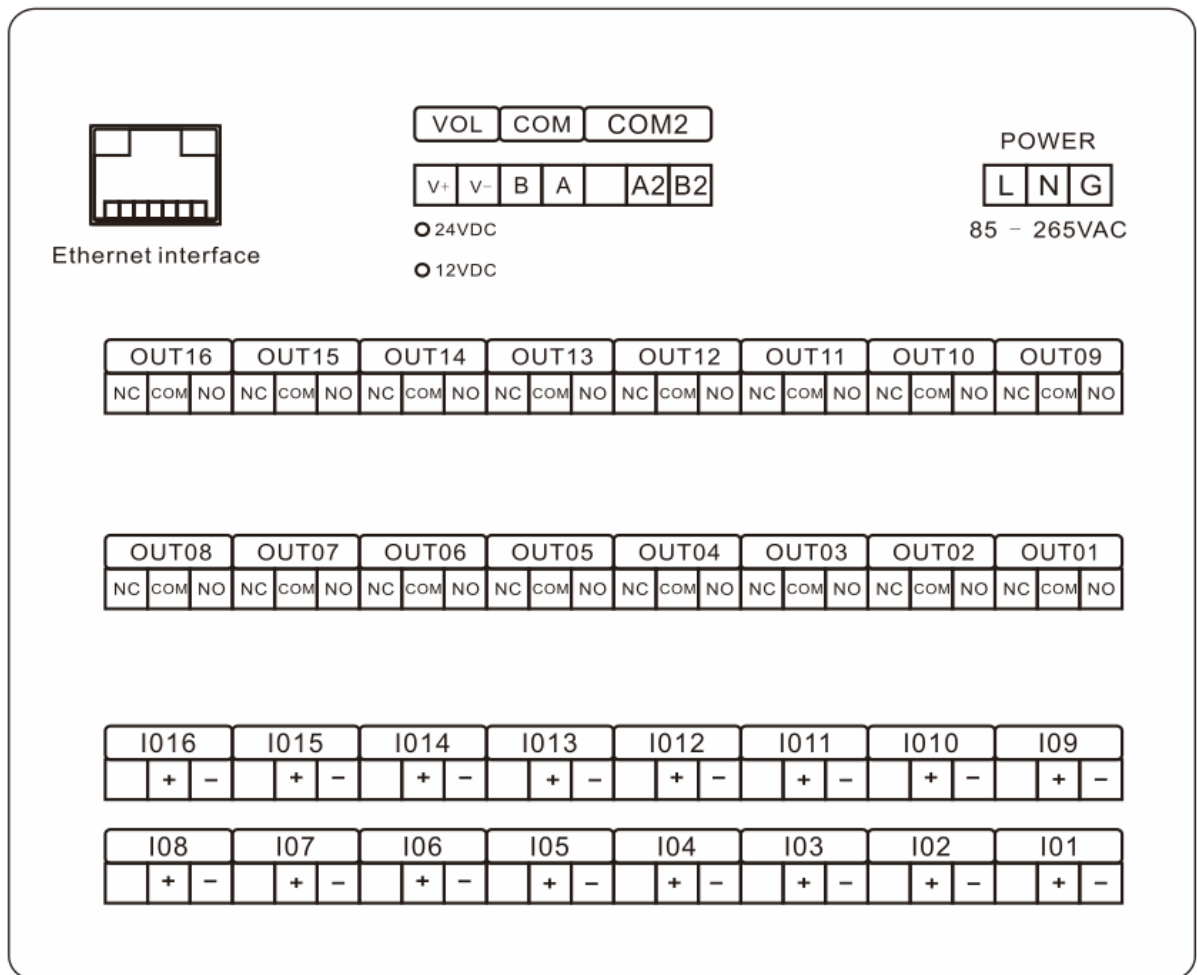
GS 19A16D01-01EN
@Copyright. Jan.2019
1ST Edition Jan. 2019

Dimension (mm)

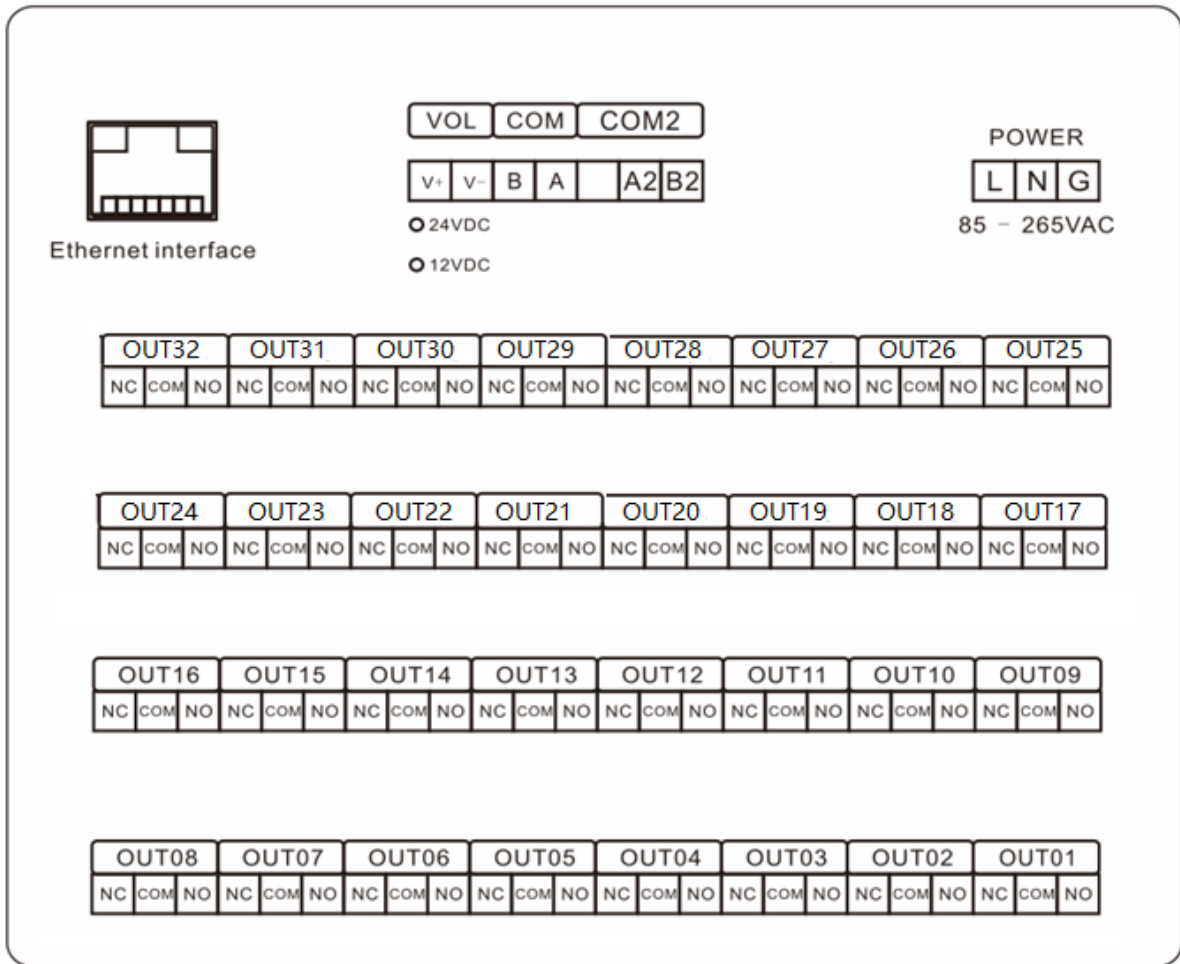


Diagram

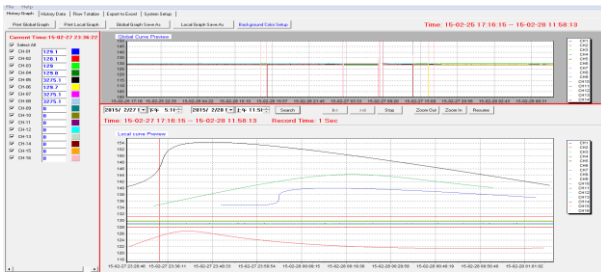
a. Relay output ≤16: Retransmission output: ≤16



b. Relay outputs: ≤32



PC Software

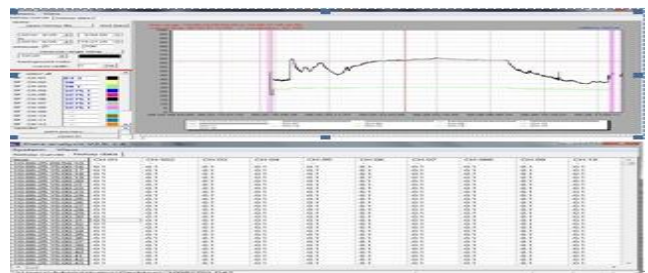


**PC Software for USB Data Transferring, free when ex-work
Used for history data checking and further analysis**

- . History Data will be displayed in digit and trend
- . History Data can be exporting the data as Excel for further analysis
- . History Data can be printed in the curve by printer directly
- . Flow Totalizer data display in shifty, weekly, monthly

Suitable for PC Version: Window 2000/XP, VISTA, Win7, 8, 10

Installation: Please copy our software in your PC directly



**DCS Software for RS485, Ethernet Communication, option
Used for real time monitoring & reading while data memory**

- . Data in will be displayed in digit and curve
- . History Data can be exporting the data as Excel for further analysis
- . History Data can be printed in the curve by printer directly

Suitable for PC Version: Window 2000/XP, VISTA, Win7, 8, 10

Installation: Please copy our software to your PC directly

■ Specification

Input		Output	
Input No.	8, 16, 24, 32,40 Channels	Relay	Max. 16 outputs, programable
Input type	RS485, with continuous reading function	Retransmission	Max.12 channels output
Baudrate-Protocol	9600bps, standard MODBUS-RTU	Communication	RS485 serial port output, Ethernet output
Data type/format	Integer: 2-byte integer, 4- byte integer; Float:4-byte single float, 8- byte double float point number	Protocol	Standard MODBUS-RTU, TCP/IP protocol
Accuracy	± (0.2%FS +1) digit	Printing	RS232 printing port
Temperature shift	50PPM	Totalize	Flow totalizer, batch totalize with compensation
CMR Ratio	85-110dB	Math	+, -, x, /, mini, max, average
Inner CPU	32bits ARM CPU, high performance		Line math (polyline operation)
Memory		Relay Output(option)	
LCD Size	7" color TFT LCD	Output No.	Max. 16 outputs
LCD Resolution	640x480 TFT color LCD	Relay type	NO; 220VAC/30VDC/3A
Display interval time	1-3600 seconds, set flexibly	Output type	Individual or common for channels
Data Display Type	Digit, curve, barograph, chart;	Alarming type	HA, HHA, LA, LLA, DIFF. per channel
Background lifespan	50,000hours	Alarming display	HA, HHA, LA, LLA will be flashing when alarming occurs in screens
Screensaver	0-30,000second, set flexibly	RS485 Communication Output	
Engineer unit	℃, %, psi,bar,m3/hr, ppm..... programmable	Output Type	RS485 serial, ethernet communication
Resolution	32 Bit AD inner, final resolution:16 bit	Isolation	Photoelectrical isolated
Display	5 digits; Flow totalize:11 digits	Function	read and write the data and parameter
Memory		Protocol	Standard MODBUS-RTU protocol
Memory Capacity(≤CH16)	90days x Record Interval Time/CH numbers	Baud rate	4800, 9600, 19200
Memory Capacity(≥CH16)	180days x Record Interval Time/CH number	Address	0-253, programmable
Record interval time	1-3600seconds, programmable by key	Cable	RS485 shielded twisted pair cable
CH Numbers	8,16,24,32, ordered total channels' number	Ethernet Communication Output	
Memory type	NOR Flash memory	Protocol	Ethernet standard TCP/IP protocol
Data transfer Media	8GB USB pen driver, plug and play;	Isolation	Photoelectrical isolated
Transferred data file	8MB, all data in recorder transferred	PC software	
Data File Name	Year/month/Day/Address.dat: 19031801.dat	PC version	Window 2000/XP, VISTA, Win7, 8, 10
Full capacity memory	earliest data replaced by newest data	PC hardware	30MB or more
Data Format	Binary format or cannot read or write	Installation	Please copy it to your PC directly
Others		PC software	free, Used when USB drive data transfer
Power Supply	100-240VAC, 47-63Hz; 24VDC	Functions	Display the history data in digital and curve
Consumption	Maximum 20VA (20W)		Export the data as excel formal further
Insulation	Power to ground/housing > 1500VAC		Print the history data in curve by printer
Case material/M	Metal for case and bezel		Flow totalize display in shift, week, month
Mounting	Panel flush mounting	DCS software	Used for RS485, ethernet communication
Size/Net Weight	190x145.5x60.5mm/187.5x137.5m/1.4KG	Functions	Real time reading, monitoring while memory
Working ambient	T: 0-50 deg CH: 10%-85 % (No dew)		

Order Code

MPR5000SR color paperless recorder, touch screen								Description
MPR5000S	X	-X	-X	-X	-X	-X	-X	MPR5000S color paperless recorder
Type*Screen	R							Fieldbus RS485 input, 7inch LCD TFT, touch screen
Channel numbers		-08						8 channels, RS485 input, standard modbus rtu
		-16						16 channels, RS485 input, standard modbus rtu
		-24						24 channels, RS485 input, standard modbus rtu
		-32						32 channels, RS485 input, standard modbus rtu
		-40						40 Channels, RS485 input, standard modbus rtu
Communication Output								None
		-C1						photoelectric- isolated RS485 communication output
		-C3						photoelectric- isolated Ethernet communication output
Flow Totalize, Math Function								None
							-F	Flow totalizes with Temperature, Pressure Compensation; Math Function
Relay Output								None
							-NOC	1 Relay output: NO+NC ,30VDC/3A, 220VAC/3A
							-2NOC	2 Relay output: NC+NC ,30VDC/3A, 220VAC/3A
						
							32NOC	32 Relays output: NO+NC ,30VDC/3A, 220VAC/3A
Retransmission Output (When relay output ≤16)								None
							-T	1 Channels isolated 4-20mA, 0-10mA output
						
							-16T	16 Channels 'isolated 4-20mA, 0-10mA output
Auxiliary power supply								None
							-P3	24VDC auxiliary power supply, max125mA
							-P2	12VDC auxiliary power supply, max 125mA
Power Supply							-N	100-240VAC
							-D	24VDC

Note:

- Order Code: E.g.: MPR5000SR-08-C1-F-NO-X-N: color paperless recorder, 8 channels, rs485 input, NO+NC, 3A, RS485 communication output, 100-240VAC, Flow totalizer with temperature and pressure compensation, math Function, 100-240VAC, USB data transferring and PC software.
- Relay output can be as alarm output, also as simple on-off output.
- Notes: the function is not required; it is not required to be chosen in order code.



Xiamen Madincos Automation Co., Ltd

Add.: No. C303, 3rd Floor, Kechuang Building, No.321 Torch Road, Torch Park, Torch High-tech Zone, Xiamen, China, 361006

URL: www.madincos.com

Email: info@madincos.com

Mobile: +86-17750003689